

ROTOFAST 10

Automatic System for cleaning of panels

 Brushing



PANEL

makor

PROUDLY MADE IN ITALY

ROTOFAST 10

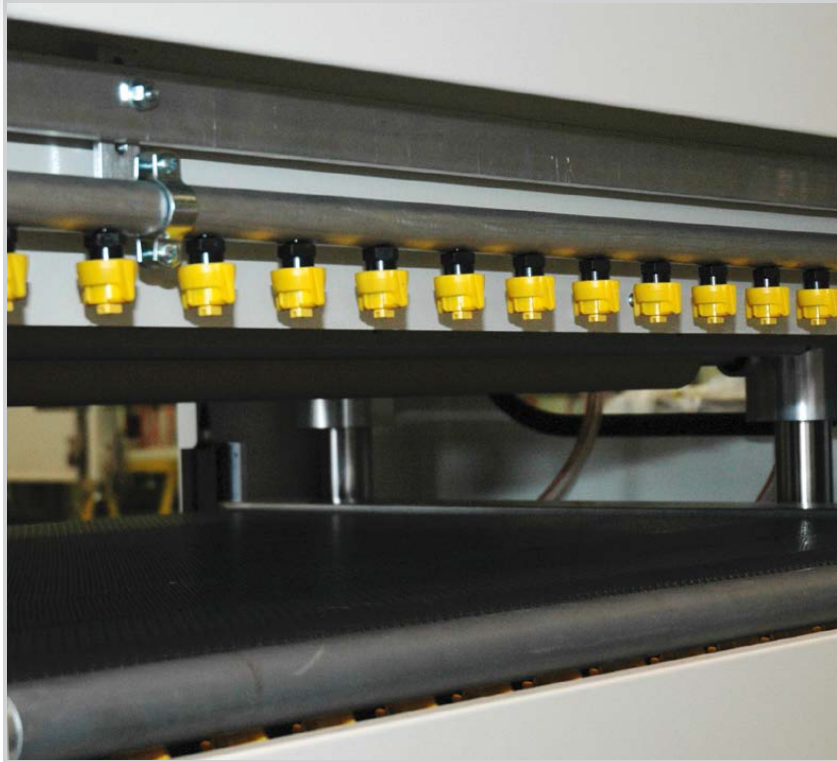
Automatic System for cleaning of panels



Where cleaning is complete

- Rotofast is the perfect solution for automatic cleaning of panels before the coating process. It consists of a brush in combination with blower units for cleaning panels of various shapes and sizes.
- The brush with variable speed is adjustable in height. One only structure enclosed in a chamber with an upper rotating blowing unit and a fixed blowing unit both upper and lower timed, in order to prevent dispersion of dust in the environment. The piece forward feed occurs through a continuous belt made of synthetic scratch proof material.

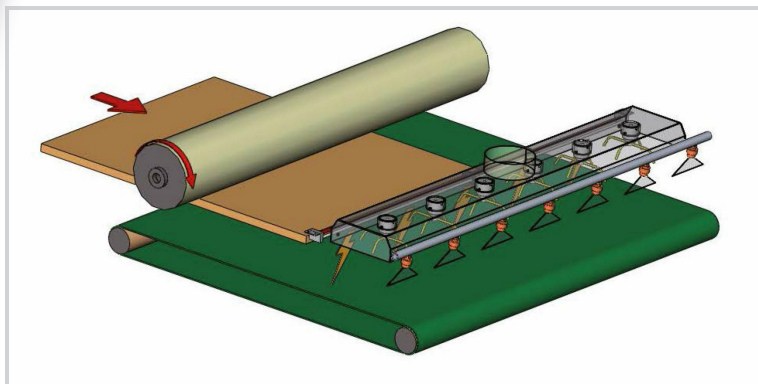
- ✓ Available in various configurations, with upper and lower brushes
- ✓ Upper and lower deionizing blowers (optional)
- ✓ Automatic height adjustment system (optional)



SOLUTIONS FOR CLEANING FLAT AND SHAPED PANELS,
EDGES INCLUDED, WITH BRUSH/AND, BLOWERS AND
DEIONISING BAR

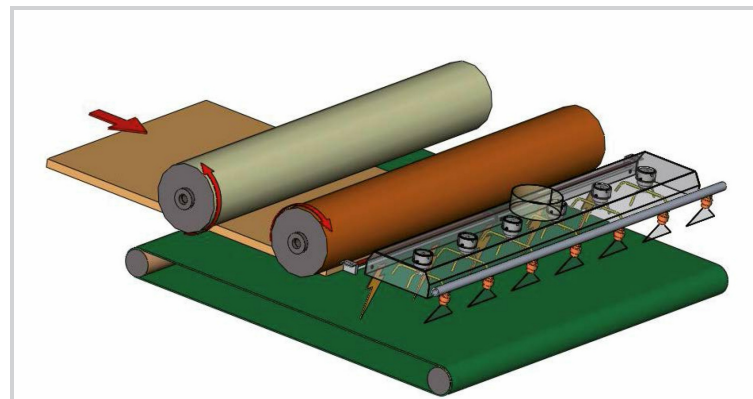


SOLUTIONS FOR CLEANING FLAT AND SHAPED PANELS,
EDGES INCLUDED, WITH BRUSH/AND, BLOWERS AND
DEIONISING BAR



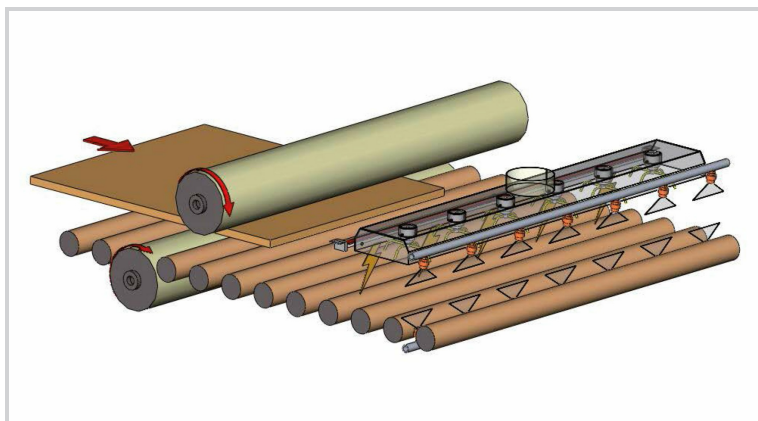
ROTOFAST 10

N° 1 Upper unit



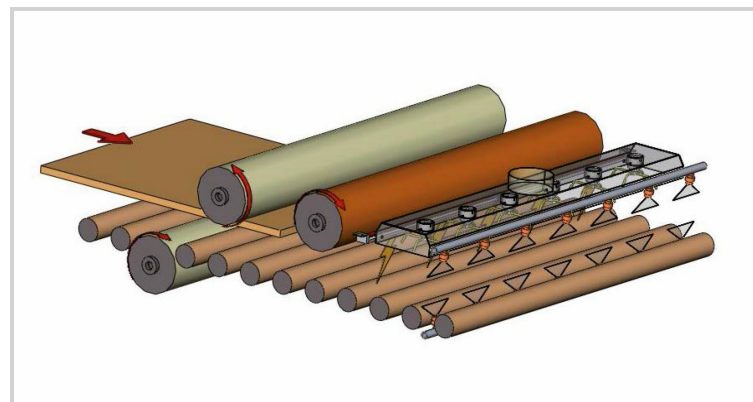
ROTOFAST 20

N° 2 upper units



ROTOFAST 11

N° 1 upper and N° 1 lower unit



ROTOFAST 21

N° 1 upper and N° 1 lower unit

ROTOFAST 10

Makor Srl

Via Casalpiano, 9
53048 Sinalunga
Siena
Italy

(+39) 0577 634011
makor@makor.it



<https://makordev.swa-creative.com/staging/en/product/rotofast-10/>