

Customized, reliable, professional.

HOMAG

Our spray coating machines

SPRAYTEQ S-100 and industrial solutions

YOUR SOLUTION





NEW

The IntelliCoating App is your perfect companion for everything concerning coating. Download the app from your store today!





Spray coating solutions for virtually all applications.

Trends change, often within short periods of time. However, the demand of many end customers for high-quality surfaces remains. As a manufacturer, the best way to meet your customer's demand for first-class furniture, well-made interior fittings or high-quality finished building parts is with spray coated surfaces. Painted workpieces set themselves apart with their excellent properties. Surfaces and edges can be completely coated in one path without joints. They offer resistant surfaces as well as an impressive look and feel. No matter whether you manufacture furniture, kitchens, interior fittings, stairs, doors or building products and regardless of whether they are made of solid wood or wood-based materials: HOMAG offers machines for flat surface coating as well as for profile and window coating.

Our solutions are adapted to the needs of workshops, medium-sized-companies or the industry. And as you should expect from a surface specialist, we can supply you with everything from spray guns to the necessary drying systems to material handling equipment. With its coating systems, HOMAG offers you the right solution for high-quality finishing of your surfaces.

YOUR SOLUTION

MORE: [HOMAG.COM](https://www.homag.com)



SPRAYTEQ S-100

CONTENTS

- 04 The variety of our product range
- 06 SPRAYTEQ S-100 with automatic loading
- 10 SPRAYTEQ S-100 with paper transport
- 16 Solutions for workshops & SMEs
- 18 Spray coating solutions for the industry
- 20 Profile coating
- 22 Window coating

The variety of our product range on finishing equipment will surprise you...

To enter the spray coating market, HOMAG initially concentrated on the SPRAYTEQ S-100 series. This spraying machine is designed to offer small and medium-sized companies a solution to switch from a manual to an automated spray coating process. But we offer a lot more. In close partnership with MAKOR, the globally renowned

finishing systems specialist, we offer you a comprehensive product portfolio. This includes machines for flat surface coating as well as for profile and window coating. Likewise, we offer adapted solutions which are tailored to the requirements of workshops, medium-sized companies or the industry.

Workshops & SME

Do you currently paint exclusively in a manual spray booth? Quality improvement, shorter delivery times and process reliability are topics you have to deal with on a daily basis? Then we offer the right alternatives for workshops and SMEs.

- Machines specifically geared towards low investment and operating costs
- Suitable solutions for an automated spray coating process.
- Spray coating machines can be used as both a stand-alone spray machine or as part of an extensive finishing line.
- Spray coating machine combined with an automated workpiece handling system to create an innovative coating cell with a 1-person operation.



Industry

As an industrial company you are looking for a solution to coat large quantities in highest quality? You need a partner with whom you can integrate a customised painting line into your existing production process? Then we are the surface specialist where you will find everything you need, from spray coating machines and spray guns to the necessary drying systems and material handling equipment. You need it - we have it!

- Spraying machines with one- or two-armed carriages or alternatively as spraying robots.
- Dryers as single-daylight continuous dryers or as multi-daylight dryers.
- State-of-the-art UV systems





Profile coating

In addition to solutions for flat surface coating, HOMAG also has the answer to your needs in the finishing of elongated workpieces, such as mouldings, plankings, window components and the like.

Our portfolio includes:

- Profile sanding machines
- Machines for profile coating
- Drying systems
- Material handling equipment



Window coating

HOMAG offers integrated solutions for the end-to-end production of window components, from planing to surface finishing. To achieve this, we combine our expertise in moulding, CNC- and surface technology. As a window manufacturer, you benefit from tailor-made concepts for a complete production - regardless of whether 25, 50 or more units are produced per day. For the perfect surface finish of the windows, we offer machines for all necessary process steps.

Our portfolio includes:

- Profile sanding machines
- Impregnating machines
- Linear spraying machines
- Dryers for strips or rack trolley dryers
- Solutions for handling and intermediate storage of window components.



7

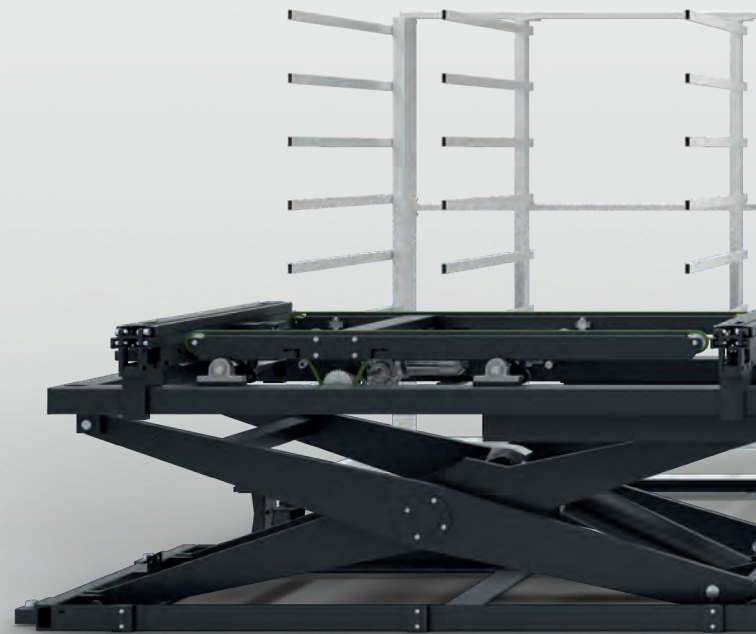
Up to **7** trays with workpieces per rack trolley can be automatically loaded and unloaded

1

person operation

600

parts can be finished per shift



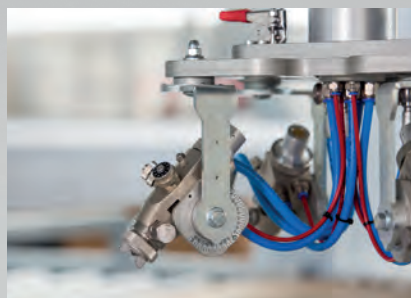
SPRAYTEQ S-100 coating cell, combined with automatic loading and unloading

We have combined the SPRAYTEQ S-100 with automated workpiece handling and offer an innovative coating cell. With this system, several batches can be painted without interruption by just one single operator. This means: simple, flexible and reliable painting with low staffing and space

requirements. Due to the compact machine design in combination with the automated workpiece handling, this machine concept is ideally suited for small and medium-sized companies.



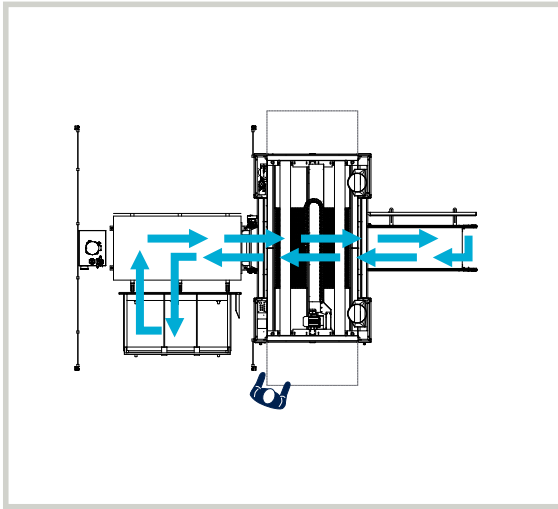
Workpiece trays: Workpieces are transported through the machine lying on trays. This enables an automatic workpiece handling and thus a one-person operation.



Spray guns are pre-assembled onto a gun holding plate. Precise adjustment aids facilitate adjustments and reduce the time needed for setup work.



With the **rack trolley loading system**, trays with workpieces lying on them are automatically removed from a rack trolley and put back into the rack trolley after the coating process.



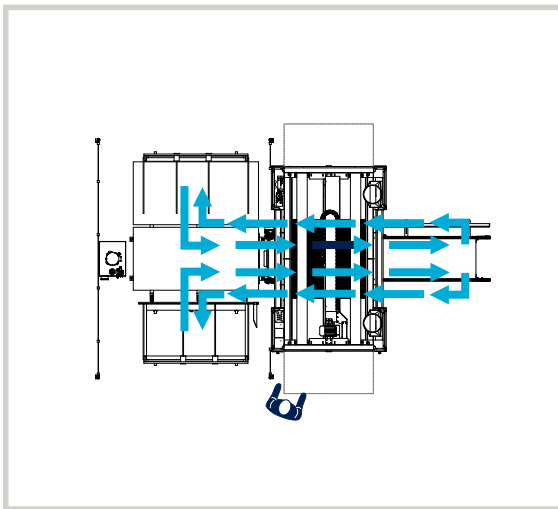
„Operating side right“ illustrated

SPRAYTEQ S-100 coating cell

The basic version of a SPRAYTEQ S-100 coating cell includes an automatic feeder for loading and unloading workpiece trays. Trays with workpieces to be coated are automatically removed from the rack trolley located on the operating side and are automatically put back into the rack trolley after painting.

- Extremely low space requirement
- One person operation
- High machine utilization

(Pictured here is a version with one rack trolley loading and the option „rack trolley“)



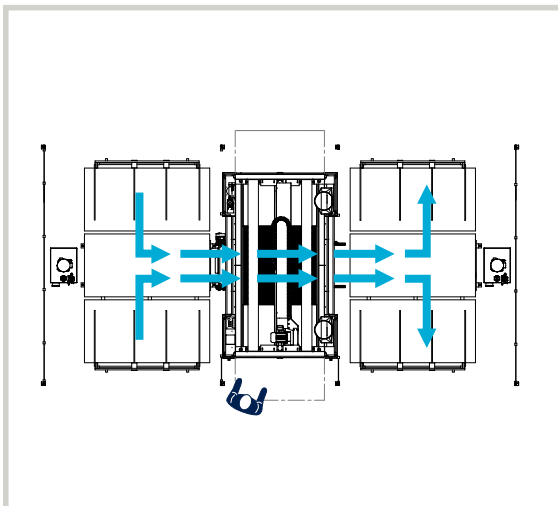
„Operating side right“ illustrated

SPRAYTEQ S-100 coating cell

With the two-way function of the rack trolley loading system, it is possible to load and unload trolleys standing on both, the operating and the non-operating sides of the machine.

- Double the amount of workpieces in the machine
- Longer autonomous operation
- Uninterrupted operating cycle, since rack trolleys can be changed at the end of a batch during operation
- One person operation

(Pictured here is a version with one rack trolley loading and the options „two-way function of rack trolley loading“ and „2 x rack trolley“)



„Operating side right“ illustrated

SPRAYTEQ S-100 coating cell

The largest production volume is achieved with loading and unloading located at the infeed and outfeed combined with the two-way function of the rack trolley loading.

- Absolute autonomous operation
- Usage is equivalent to a throughfeed unit
- Uninterrupted operating cycle, since the transport carriages can be changed at the end of a batch during operation
- One person operation

(Pictured here is a version with two rack trolley loadings and the options „2 x two-way function of rack trolley loading“ and „4 x rack trolley“)

Loading concepts for the SPRAYTEQ S-100

An outstanding feature of the SPRAYTEQ S-100 is the innovative combination of a spray machine with automated

workpiece handling. We offer a variety of loading concepts for different requirements and production volumes.



ROBOSTART P cell

Special robot painting system for doors and profiled elements

- Automated turning of the door panels for double-sided coating
- Automatic workpiece handling without operator
- 3D scanning of the workpiece contour with a laser
- Special painting programs for outside edges, internal edges and fillings
- Fast and flexible painting system, which is suitable both for small companies and for batch size 1 production.



Space-saving:

- Compact machine, exhaust air unit and switch cabinet integrated in the machine frame

Effizient:

- Precision parts detection enables exact control of spray guns and thus the best possible paint savings
- Large exhaust volume and an optimal air supply ensure a high paint transfer rate

Reliable:

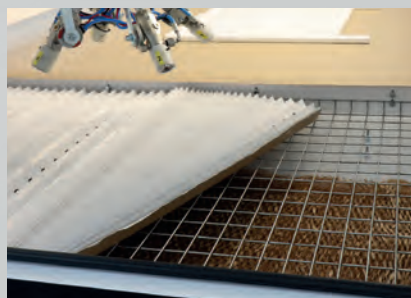
- Monitoring of paper tension, paper breakage and paper winding

User-friendly and easily accessible:

- Optimum visibility thanks to large windows and an illuminated interior
- Easy machine access to all filters for service and cleaning



Single oscillating arm for four spray guns.



Large filters are easily accessible and replaceable for cleaning and maintenance.



Vacuum conveyor belt covered with disposable paper. This eliminates the need for a costly belt cleaning system and cleaning the machine between jobs.



Only requires **14** square meters
of installation area

Can also produce batch size

1
efficiently

2.400 parts
can be finished per shift

SPRAYTEQ S-100 spray coating machine

The SPRAYTEQ S-100 is the spray machine for automated finishing of furniture parts, doors, stair components, and interior fittings with water-based and solvent-based coatings. It can be used as both a stand-alone spray machine or as part of an extensive finishing line. Equipped with a single oscillating arm, four spray guns and a workpiece transport with a vacuum conveyor belt covered with disposable paper,

the SPRAYTEQ S-100 represents performance, flexibility, and reliability. Limited investment and operating costs combined with the achievable production volume mean that the machine is ideally suited to small and medium-sized companies looking for an effective solution for a high-quality spray application process.



Transport: Workpieces are moved via a vacuum conveyor belt. The disposable paper is for covering purposes only. This means that very thin paper with more running meters on a single roller can be used to reduce the maintenance effort. The paper tensioning is monitored by a sensor with an additional control for paper breakage and paper winding.

Paint circuit with quick change couplings: Quick change couplings make it possible to switch between paint circuits in next to no time. The SPRAYTEQ S-100 is equipped with two separate high-pressure paint circuits as standard.



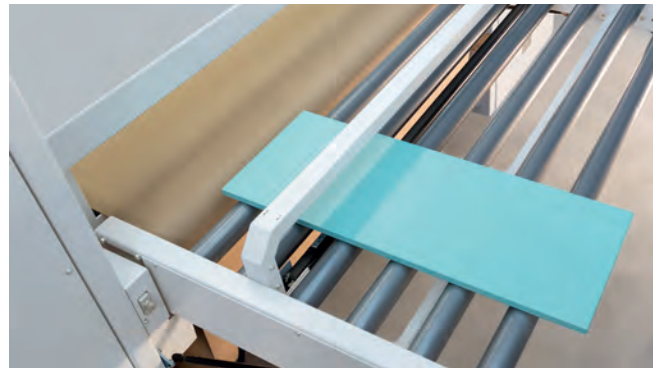
SPRAYTEQ S-100 – Highlights as standard

The SPRAYTEQ S-100 represents performance, flexibility and reliability. To fulfill these promises, we have equipped the spray machine with innovative technical functions that

underline the solution-orientated approach of this machine concept.



Small machine dimensions: Since the filters, air extraction system, and switch cabinet are fully integrated into the machine frame, this machine has a very small footprint and provides operators with a complete overview.



Precision parts detection: Workpiece contours are accurately detected by a high resolution light grid. This means that the spray guns can be precisely controlled and enables a 12-15% paint saving compared to systems with straightforward light barriers.



Gun mounting plates with quick-release lock: An ergonomic and flexible solution for quickly changing the spray guns. The pre-prepared gun mounting plates eliminate the need for time-consuming assemblies and adjustments.

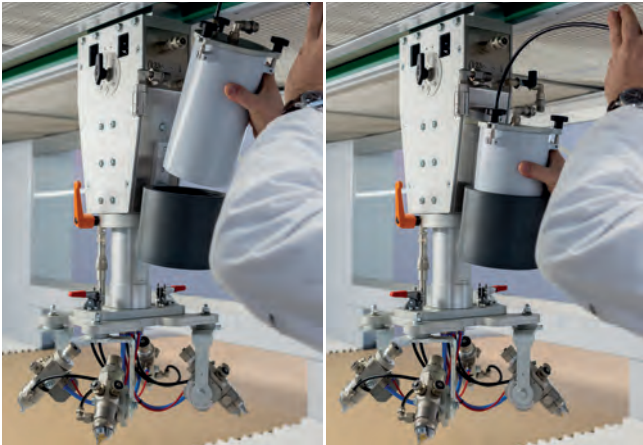


Reduction of overspray: An optimal air supply in combination with a large suction volume ensure an even paint application, a high transfer rate, and low contamination inside the machine.

Functions with benefits...

You produce mainly furniture, interior fittings, stairs or doors? Then you also have different requirements for your production equipment. No problem with the SPRAYTEQ S-100. Refined

options make it possible to equip the spraying machine exactly according to your individual requirements.



Small volume container system: A perfect addition for spraying small batches with different colors. The 2-liter paint container is fitted to the spray arm itself and supplies the spray guns directly.



Booth pressurization: The additional unit on the spray machine optimizes air distribution and airflow within the spray booth, while its additional filters ensure clean air in the spray zone.



Additional paint circuits: To make changing between colors simple, the machine can be equipped with up to four paint circuits.

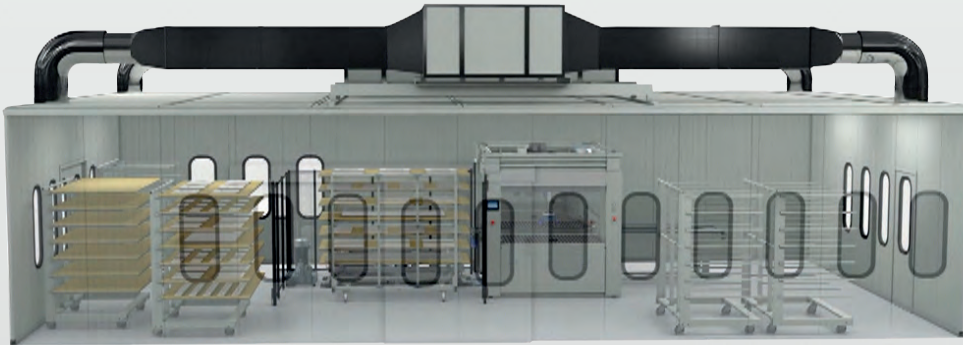


4-way color change valve: For fast color changes, this option allows you to easily switch between a flushing line and up to three paint circuits without having to replug the hoses.



Workshops

The SPRAYTEQ S-100 is available in two versions. Either with a pallet transport combined with an automated workpiece handling or with a vacuum conveyor belt covered with disposable paper. Both versions of this spraying machine form the ideal core of an innovative coating cell with which small businesses can also paint flexibly and reliably.



Workshops with small production volumes

Especially for workshops with small production quantities it is ideal to set up the spraying machine in a booth and to use rack trolleys for the workpiece handling.

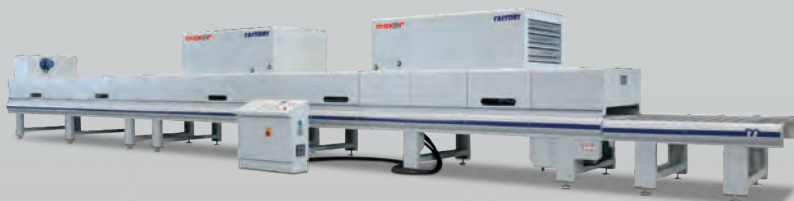


The advantages are:

- The design of the drying cabin is ideally adapted to the needs in your shop.
- High flexibility in processing a wide range of workpiece geometries and dimensions.
- Economical processing even of small quantities and customized solutions.
- Dust-free paint room as a basis for perfect surfaces.

Workshops with higher production volumes

A through-feed spray coating system is often suitable for workshops with larger production quantities. Ideally, the spraying machine is linked directly to a continuously operating dryer.



The advantages are:

- High production output with low personnel input.
- No workpiece handling required between the individual process steps.
- Specific zones in the continuous dryer for evaporation and drying designed according to the requirements of the coating material.
- The shortest possible drying times can be achieved by installing various additional drying elements (e.g. TL, IR, NIR or UV).

Small or medium-sized enterprises

The right concept to produce larger production quantities is a continuously operated spray coating line. In addition to the SPRAYTEQ S-100, we offer a portfolio of different drying systems and handling components. With these, we design a solution for you to economically finish all kinds of furniture, interior fittings, stairs or doors.



UV dryer ULTRADRY

UV coatings are modern coating systems that are cured by ultraviolet radiation within a few seconds. If short throughput times are required, UV-curable coating systems are the first choice.

The advantages are:

- Due to our modular design, the UV dryers are specifically adapted to the coating and the required production speed.
- Perfect drying of flat and shaped workpieces, including edges.
- Very short, space-saving dryers.



Multi-level dryer

Especially water-based coatings often require a long drying time. The advantage of multi-daylight dryers is to allow this drying time, but to use only little space.

The advantages are:

- Compact design
- Up to 6 levels
- Very well insulated drying chamber for efficient use of energy.

Spray coating lines for the industry

The HOMAG Group is recognized worldwide as a supplier of integrated machines and systems for the wood and wood-based panel processing industry. Our high-tech solutions form the technical backbone of efficient production for many industrial companies. And this is exactly what we deliver with our finishing systems. Together with our partner MAKOR, we supply spray coating solutions for furniture,

interior fittings, staircases and doors that are precisely adapted to the requirements of industrial productions. Just tell us your requirements and we will supply the appropriate and comprehensive system concept, of course including the necessary application technology, the necessary drying systems and the desired material handling equipment.



Photo courtesy of
List General Contractor GmbH, A-2822 Bad Erlach

Multi-level dryer MULTIDRY

The multi-daylight dryer is an ideal addition to our high-performance spray coating machines for drying water-based or solvent-based coatings with long drying times.

- High modularity, available with 2-3-4 or 6 vertical drying areas.
- Zone optimization for efficient drying
- Workpiece conveyors designed as bar conveyors or alternatively as conveyor belts.
- Dryer length up to 7 m





EVOLUTION-S / EVOLUTION-T

The EVOLUTION series is a state-of-the-art spraying robot. Equipped with a Cartesian robot spray arm, it is ideal for coating complex furniture parts with different contours and thicknesses.

- High production output with maximum flexibility at the same time.
- In order to achieve the maximum production output, the machine is equipped with an additional oscillating spray arm (EVOLUTION-T)
- Coating of flat workpieces incl. edges and profiles
- Spray arm with individual spray guns for separate coating of workpiece surfaces and edges
- Transport system with disposable paper or alternatively with self-cleaning belt
- Innovative 3D-blue laser scanning system for the recognition of complex workpiece shapes, also on colored workpieces.
- Automatic and programmable gun cleaning system.

High-performance spray coating machines

For the different requirements in industrial productions we offer high-performance spray coating machines with different characteristics:

- Different types of spraying arms (oscillating arm or cartesian robot)
- Varying number of spray arms
- Different types of transport systems (with vacuum conveyor covered with disposable paper or self-cleaning belt).



Continuous dryer FASTDRY

The FASTDRY continuous dryer is suitable for drying water-based or solvent-based coatings with short drying times. Due to the modular concept, the length of the dryer is designed exactly to match the coating material used.

- High production capacity
- Specific zones in the continuous dryer for flash-off and drying are designed according to the requirements of the coating material.
- By installation of various additional drying elements (e.g. TL, IR, NIR or UV) the shortest possible drying times can be achieved.



Linear Spray coating machine IRIDE

The linear spray coating machine IRIDE for the application of varnish, primers and top coats on profiled or rectangular workpieces, door and window elements.

- Installation of up to 12 spray guns to evenly coat even complex profiled workpieces.
- Paint carrying components with non-stick coating for easy maintenance and cleaning.
- A large-format pressurized booth, equipped with an efficient extraction system, allows large-volume production quantities with reduced maintenance intervals and filter changes.
- The machine design guarantees maximum flexibility, fast color change and reduced maintenance.
- Working width up to 400 mm at 750 mm min. workpiece length.

Vacuum coating machine STORM

The vacuum coating machine STORM for the application of lacquer on profiled or rectangular workpieces.

- 4-sided coating in one operation
- Suitable for a variety of coating materials such as water-based coatings, UV coatings, water-based UV coatings etc.
- Machine with automatic filling system and double filtration, which can be set with bypass for fast changeovers.





Profile coating

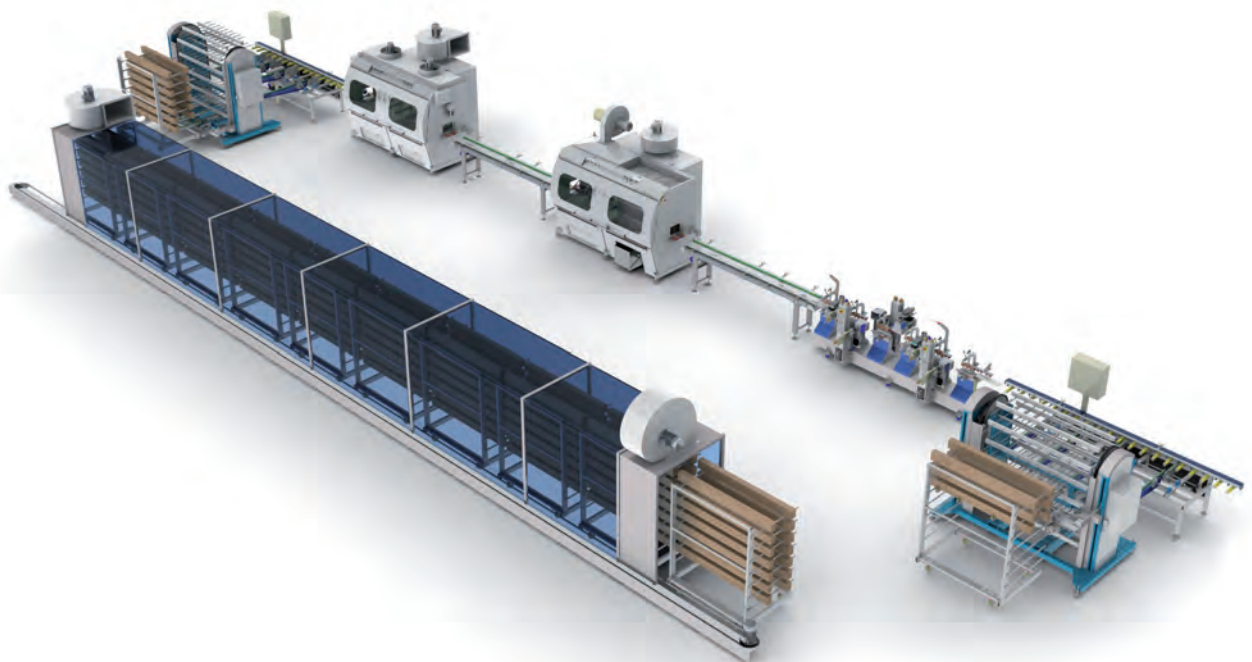
For the processing or refinement of elongated workpieces, e.g. mouldings, planking, etc. we recommend the use of machines which are specifically adapted to the workpiece geometry. Together with MAKOR, the world-renowned specialist for finishing systems, HOMAG offers a

comprehensive range of machines for profile processing and coating. Our machine spectrum ranges from profile sanding machines through linear impregnating and spraying machines to the necessary drying systems.



Profile sanding machine

The LC8 profile sanding machine is in particular ideal for sanding and smoothing a wide variety of elongated workpieces. The high machine stability, the possibility of using a wide range of machining units and the excellent operability guarantee the best possible results in all areas.





Advantages of single component production

- Window components can be easily fixed and removed manually on a jig
- Reduced workload: the window components fixed on a jig can be conveyed with one clamping through all processing steps.
- Compared to coating the frame, the coating result is more uniform and of higher quality.



Window coating

HOMAG has taken an important step towards offering complete solutions for window production. How? By combining its expertise from many areas of the value chain, such as moulding/planing, CNC technology and surface finishing. As a competent partner, we offer solutions ranging from individual machines to a complete window production. For the surface treatment and finishing of single window

3 Competences from the areas moulding, CNC machining and surface finishing bundled by one supplier.

Turnkey concepts for **25**, 50 or 100 windows per day.

6 Paint all sides of a single window component in one pass with our spraying coating machines.

- Sanding machines for workpiece transport with or without workpiece jig
- Different sanding units for: sanding belts, sanding pads, sanding discs or sanding brushes.
- Series with controlled sanding units for precise sanding over the entire profile length.
- Machine configurable for different requirements.

parts, we also rely on the cooperation with the finishing systems specialist MAKOR. For the perfect surface finish, we offer machines for impregnating or coating individual window components. As a result, window manufacturers benefit from customised concepts for ready-to-assemble and all-side perfectly coated components for windows - regardless of whether 25, 50 or more units are produced per day.

Easy to get. And easy to use.

tapio is the open wood industry ecosystem

This means that everyone involved in the wood industry can participate.
Because together with our business partners, we develop digital solutions for everyone.



Just have a try:

Free use of the MachineBoard app! Just register under tapio and „connect“ the machine www.tapio.one. The complimentary usage is limited in time.

Apps that make working life easier

tapio

Partner

DataSave

- Protects machine and configuration expertise
- Faster service for machine breakdowns
- Saves time when restarting production
- Saves on maintenance costs
- Automatic backups of several machines

ServiceBoard

- Create service cases quickly and easily and send them to the correct service partner
- Live video diagnostics to solve service cases with image support
- Video reduces the language and distance barriers
- Also works without a machine connection to tapio (and is therefore ideal for older machines)

MachineBoard

- Push notifications
- Machine data and status can be viewed from anywhere in real time
- Lists of errors, warnings, maintenance tasks and actions
- Displays the remaining time until the next intervention by the machine operator



Free demo for all tapio apps, no registration required. Simply download and test.

Currently available in the EU and Switzerland

(Due to the fast pace of the IT-landscape, the compatibility to the tapio platform is warranted for five years.)

HC LIFE CYCLE SERVICES

Optimal service and individual consultations are included in the purchase of our machines. We support you with service innovations and products which are especially tailored to your requirements. With short response times and fast

customer solutions we guarantee consistently high availability and economical production – over the entire life cycle of your machine.



REMOTE SERVICE

- Hotline support via remote diagnosis by our trained experts regarding control, mechanics and process technology. Thus, more than 90% less on-site service required and consequently a faster solution for you!
- The ServiceBoard App helps to solve tasks in a fast, simple and concrete way. This is achieved by mobile live video diagnosis, automatic sending of service requests or the online spare parts catalog eParts.



SPARE PARTS SERVICE

- High spare parts availability and fast delivery.
- Ensuring quality by predefined spare parts and wear parts kits, comprising original spare parts.
- Identify and inquire for spare parts online under www.eParts.de 24/7, or buy even faster and more comfortably in the new HOMAG Webshop eCommerce.



MODERNIZATION

- Keep your machinery up to date and increase your productivity as well as your product quality, This is how you can meet tomorrow's requirements today!
- We support you with upgrades, modernization as well as individual consultancy and developments.



DIGITAL SERVICES

- ISN (intelliServiceNet) – The new remote service solution of the future! Fast restart of production because the remote service employee has extensive access to relevant physical data.
- intelliAdvice App – provides help for self-help. The preventive solutions proposed in the new App are the combination of our experiences and existing machine data.



SOFTWARE

- Telephone support and consultancy through software support.
- Digitalization of your spare parts via 3D scanning saves time and money compared to new programming.
- Subsequent networking of your machinery with intelligent software solutions ranging from construction to production.



FIELD SERVICE

- Increased machine availability and product quality by certified service staff.
- Regular checks through maintenance / inspection guarantee the highest quality of your products.
- We offer you the highest availability of technicians in order to reduce downtimes in case of unpredictable troubles.



For you more than...

1,350

service employees worldwide

90%

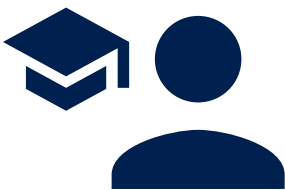
less on-site service thanks to successful remote diagnosis

5,000

customer training sessions per / year

150,000

machines, all electronically documented in 28 different languages – in eParts



TRAINING

- Thanks to training perfectly suited to your requirements, your machine operators can optimally operate and maintain the HOMAG machines.
- The training also include customer-specific training documents with exercises proven in practice.
- Online training and webinars. Learn without traveling, meet your trainer in the digital classroom.

HOMAG Group AG

info@homag.com

www.homag.com



YOUR SOLUTION